

WIP4NPTZ25P

# PTZ CAMERA

4MP H.265 IP IR 4" 25x Optical Zoom PTZ Camera with Starlight and PoE



ONVIF®



## Key Features

- Face recognition
- Face comparison
- Target counting
- Alarm triggering by human or vehicle
- Smart human or vehicle tracking, manual tracking, auto tracking (via software setting)
- 1/2.7" progressive scan CMOS
- Up to 2560 x1440 resolution
- Minimum illumination: Colour: 0.01Lux @ (F1.65, AGC ON); B/W: 0.002Lux @ (F1.65, AGC ON); 0Lux with IR120 dB WDR, 3D DNR, Smart IR
- Smart IR with distance to 160m
- IP66 ingress protection
- Smart TM 1.0 (Thermal Management)
- Up to 160m IR distance
- Smart H.265/H.264 video compression
- 0.5Tops Deep-learning Engine
- Smart tracking of human/vehicle
- Smart detection and perimeter protection
- IP66, -30°C~55°C, ADC12 + PC/GF
- PoE+ (802.3.at, class 3) and DC12V
- API and SDK
- Requires WPTZW bracket

The Genie **WIP4NPTZ25P** is a powerful PTZ camera with accurate pan, tilt and zoom performance. The camera provides a wide monitoring range as well as a full 4MP high definition resolution at 25/30fps. The camera is rated IP66 which means it works well outdoors with effective protection against lightning. The camera also features AI functions such as face recognition, face comparison and tracking.



genie

# Specification

## Camera

<b>Image Sensor</b>	1/2.7" progressive scan CMOS, BSI, NIR+
<b>Minimum Illumination</b>	Colour: 0.01Lux @ (F1.65, AGC ON); B/W: 0.002Lux @(F1.65, AGC ON); 0Lux with IR
<b>Image Setting</b>	Flip, Mirror, Saturation, Brightness, Contrast, Sharpness, AGC, etc. adjusted by client
<b>Shutter Speed</b>	50Hz: 1/25s ~1/25,000s; 60Hz: 1/30s ~1/30,000s
<b>White Balance</b>	Auto/Manual/Indoor/Outdoor
<b>Gain</b>	Auto/Manual
<b>Day &amp; Night</b>	Auto/Manual, time schedule
<b>Iris Control</b>	Auto/Manual
<b>Privacy Mask</b>	4 areas, up to 8 per request
<b>3D DNR</b>	Auto/Manual
<b>SNR</b>	≥52dB
<b>AE Enhancement</b>	BLC, HLC, WDR
<b>Picture overlay</b>	Logo picture could be overlaid on video with 128×128pixels, 24bits BMP format
<b>OSD overlay</b>	Max 15 characters/line, 8 lines, white or red font color

## Lens

<b>Focus Length</b>	f=4.8-120mm lens, 25x optical zoom
<b>Zoom Speed</b>	Approx. 3.6s (optical zoom, wide-tele)
<b>Field of View</b>	Horizontal: 55°~2.4°±5%; Vertical: 33°~1.4°±5%; Diagonal: 61.5°~2.8°±5% (wide-tele)
<b>Working Distance</b>	Wide: 1.0m ~ INF; tele: 1.5m ~ INF
<b>Aperture Range</b>	F1.65 ~ F3.8 (wide-tele)
<b>Iris type</b>	DC-IRIS, 16 Stops
<b>IRCut type</b>	Removable IRCut filter, with blue diamond glass to remove image flare and ghost

## Smart Features

<b>Basic Event</b>	Motion detection, Video tampering alarm, Exception(Network disconnected, IP address conflict, SD full, SD error)
<b>Face Recognition</b>	Default off, Detecting max 15 faces at same scene. Detecting, tracking, capturing
<b>Road traffic</b>	Vehicle detecting and tracking
<b>Smart Detection</b>	Tripwire, Bi-directional tripwire, Illegal intrusion detection, Region entrance detection, Region exiting detection, etc. More VCA per request
<b>Smart Tracking</b>	Smart tracking of human or vehicle, auto/manual

## PTZ

<b>Pan Range</b>	360°endless
<b>Pan Speed</b>	Configurable, from 0.1~200°/s; Preset speed: 240°/s
<b>Tilt Range</b>	From -10°to 90°, auto flip
<b>Tilt Speed</b>	Configurable, from 0.1°~ 200°/s, Preset speed: 240°/s
<b>Proportional Zoom</b>	Yes
<b>Preset</b>	360
<b>Cruise</b>	8 cruises, up to 16 presets for each cruises
<b>Trace</b>	4 traces, record time over 3 minutes for each trace
<b>Power Off Memory</b>	Support
<b>Action Mode</b>	Preset/Cruise/Trace/Auto Scan/Random Scan
<b>3D Positioning</b>	Support
<b>PTZ Position Display</b>	Support
<b>Schedule Task</b>	Preset/Cruise/Trace/Random Scan/ Boundary Scanning /Dome reboot

## Network

<b>Maximum Resolution</b>	2560×1440
<b>Main Stream</b>	50Hz: 25fps: 2560×1440, 1920×1080, 1280×960, 1280×720; 60Hz: 30fps: 2560×1440, 1920×1080, 1280×960, 1280×720
<b>Sub Stream</b>	50Hz: 25fps: (704 ×576, 640 ×480, 352 ×288); 60Hz: 30fps (704 ×480, 640 ×480, 352 ×240)
<b>Third Stream</b>	50Hz: 25fps (1920 ×1080, 1280 ×960, 1280 ×720, 704 ×576, 640 ×480, 352 ×288) 60Hz: 30fps (1920 ×1080, 1280 ×960, 1280 ×720, 704 ×480, 640 ×480, 352 ×240)
<b>Video Compression</b>	H.265+/H.265/H.264+/H.264/MJPEG
<b>H.264 Standard</b>	H.264/AVC codec BP/MP/HP, Level 5.1
<b>H.265 Standard</b>	H.265/HEVC codec MP, level 5.0
<b>Video Bit Rate</b>	64Kbps to 8Mbps
<b>Audio compression</b>	G.711 A/U
<b>Audio Bit Rate</b>	64K bps
<b>Protocols</b>	HTTP, HTTPS, IPv4/IPv6, 802.1x, QoS, FTP, SMTP, UPnP, SNMP, DNS, DDNS, NTP, RTSP, RTP, TCP/IP, UDP, DHCP, PPPoE
<b>Simultaneous live view</b>	Up to 6 channels
<b>User / Host</b>	Up to 16 users, 3 levels: Administrator, Advanced User and Normal User
<b>Security Measures</b>	User authentication (ID and PW), Host authentication (MAC address); HTTPS encryption, IEEE802.1x port-based network access control; IP address filtering

## Specification

### System Integration

<b>Alarm Interface</b>	1 Alarm input(Dry contact); 1 Alarm output
<b>Audio Interface</b>	1 audio input(MIC in); 1 audio output, line level, impedance,600Ω
<b>Alarm Linkage</b>	Alarm actions, such as Preset, Cruise, Track, Memory Card Video Record, Trigger Recording, Upload to FTP/Memory Card, Send Email, etc.
<b>Network Interface</b>	1 RJ45 10M/100M Adaptive Ethernet ,Support PoE+
<b>SD Card Slot</b>	One MicroSD slot, up to 256G
<b>RS485</b>	N/A
<b>Reset button</b>	Yes
<b>Heater</b>	Yes
<b>Fan</b>	Yes
<b>Water removal</b>	Remove water-drops by quick spinning, blow hot air to glass to remove frost, ice
<b>API</b>	ONVIF, support TVT SDK and third-party management platform
<b>Client</b>	TVT N9000 1.4.5, TVT NVMS 2.0; and the third-party client
<b>Web Browser</b>	IE8-11

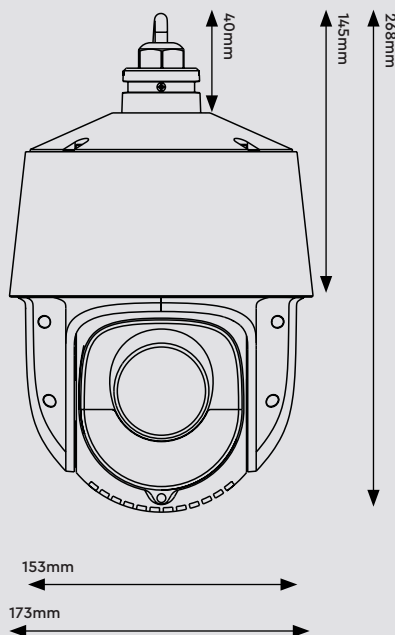
### IR

<b>IR Distance</b>	160m(525 ft.), dual stack IR LED Array
<b>Smart IR</b>	Yes

### Others

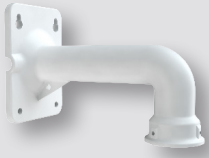
<b>Languages</b>	Czech; English, German ; Hungarian ; Italian ; Japanese ; Korean ; Portuguese, Polish; Russian, Romanian, Spanish; Spanish(Mexico);Simplified Chinese; Turkish; Traditional Chinese.
<b>Power</b>	DC12V or PoE+ (802.3.at, class 3), (Max 22W, include IR on, Heater on, Fan working)
<b>Working Conditions</b>	-40°C ~ 60°C (-40°F ~ 140°F), Cold start at - 30°C(30minutes waiting); 90%RH
<b>Storage Conditions</b>	-40°C ~ 70°C ; ≤ 95% RH
<b>Protection</b>	6000V Lightning Protection, Surge Protection and Voltage Transient Protection
<b>Material</b>	Aluminum Alloy + Plastic/GF15%
<b>Certification</b>	IP66,IK10(excluding glass window),ROHS,CE,FC
<b>Dimensions</b>	Φ 173mm × 268mm (Φ6.8 inch ×10.55 inch)
<b>Weight</b>	Approx. 2.1 Kg (4.63 lb.)

## Dimensions



## Accessories

---



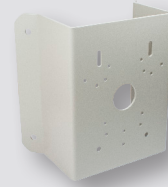
**WPTZWB**  
Wall Bracket for  
WIP2PTZ18P PTZ Dome  
Camera - White



**WIPPTZCB**  
Ceiling Mount Bracket for  
WIP PTZ Cameras - White



**WIPMPPM**  
Multi Purpose Pole Mount  
Bracket - White



**WIPMPCM**  
Multi Purpose Corner  
Mount Bracket - White